



NVH CDM 75 4x4

Chassis Dynamometer



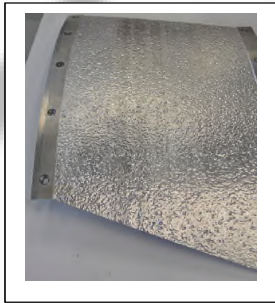
For the reproducible measurement and analysis of Noise, Vibration and Harshness:

- Exterior noise (pass-by measurement)
- Interior noise (comfort measurement)

Roll Diameter 75" (1,905 mm) or larger ...

- 4-motor design
- Motor 'inline' principle
- Various road surface simulation shells for the simulation of different road surface conditions (e.g. rough asphalt, small cobbled streets, etc.) available
- Soundproofed rolls for preventing the 'bell effect'
- Liquid-cooled AC drive motors
- Integrated service center pit with height adjustable service platform
- Special vehicle restraining systems (e.g. wheel hub fixation) available
- Drive motors, rolls and test stand decking are sound-absorbing insulated to reduce the noise to test e.g. 41 dB(A) at 50 km/h
- Test speed to 250 km/h.

Option: Road surface simulation shells

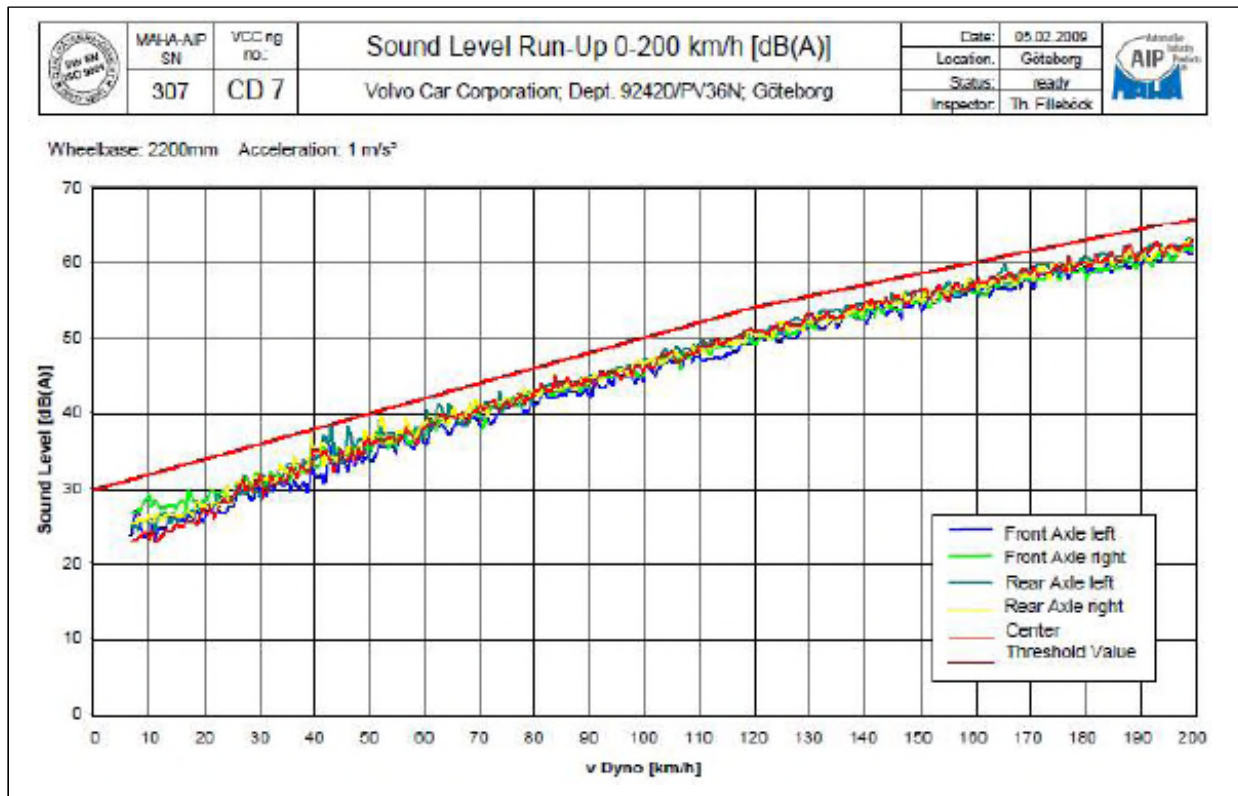
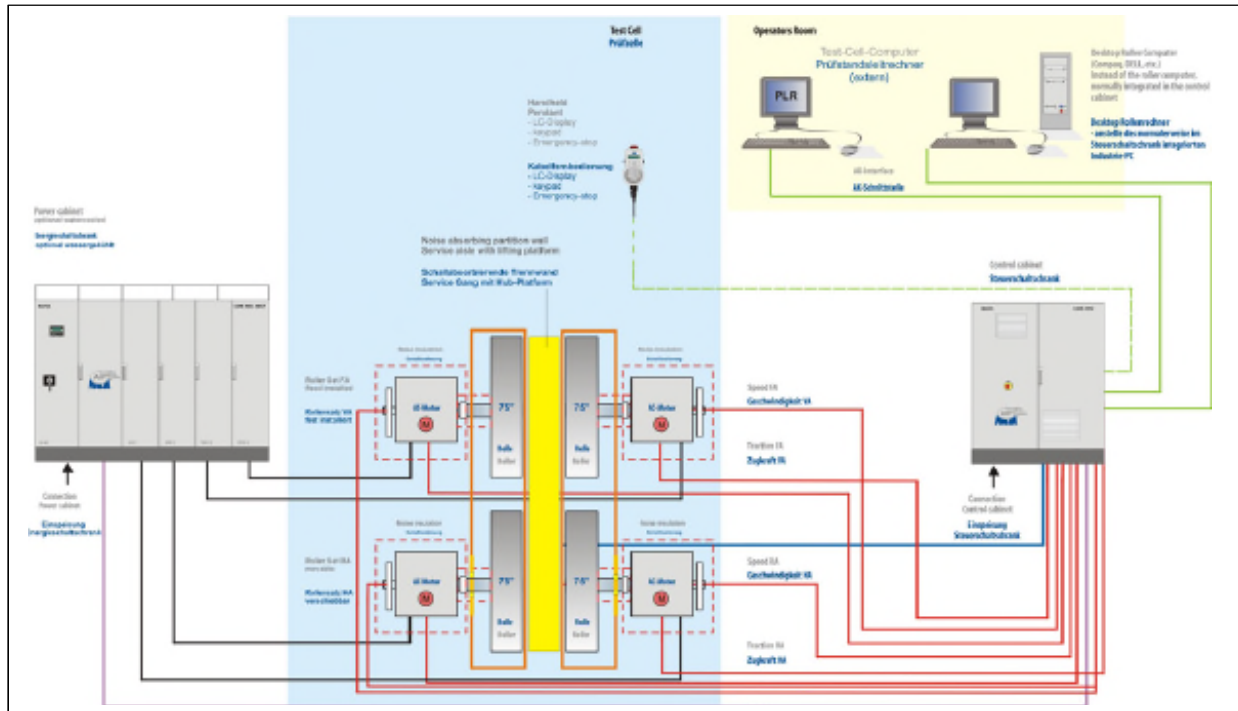


Option: Service aisle with height adjustable lifting platform



Improving the Environment through Technology

NVH CDM 75 4x4 - (Emission Chassis Dynamometer)



Example: Acoustic emission, 1 m above roller set center line

Improving the Environment through Technology