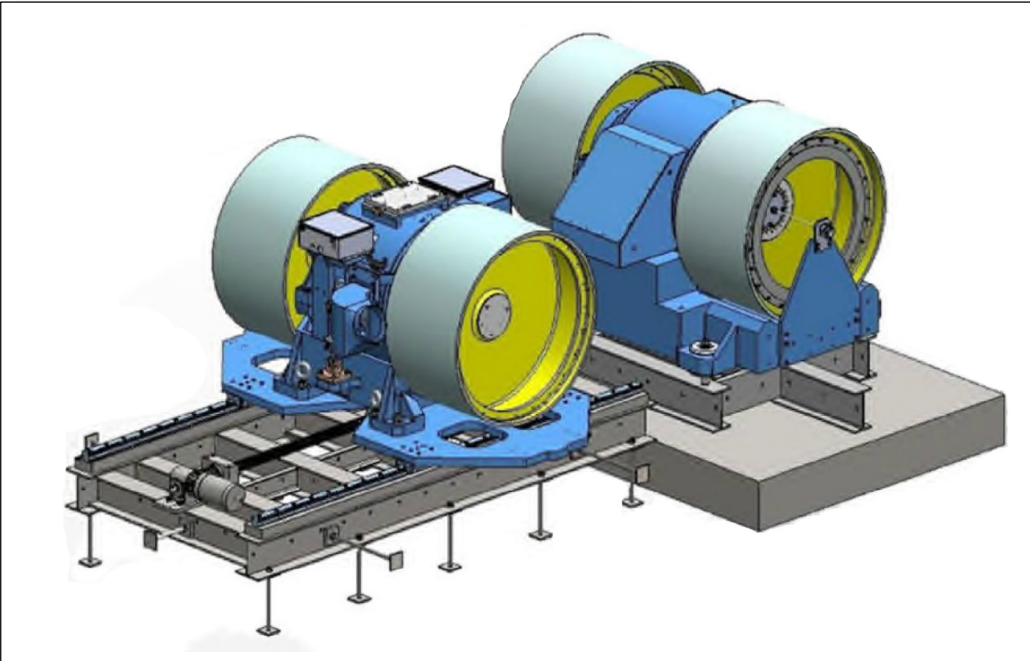




Dynamometer 4WD Conversion

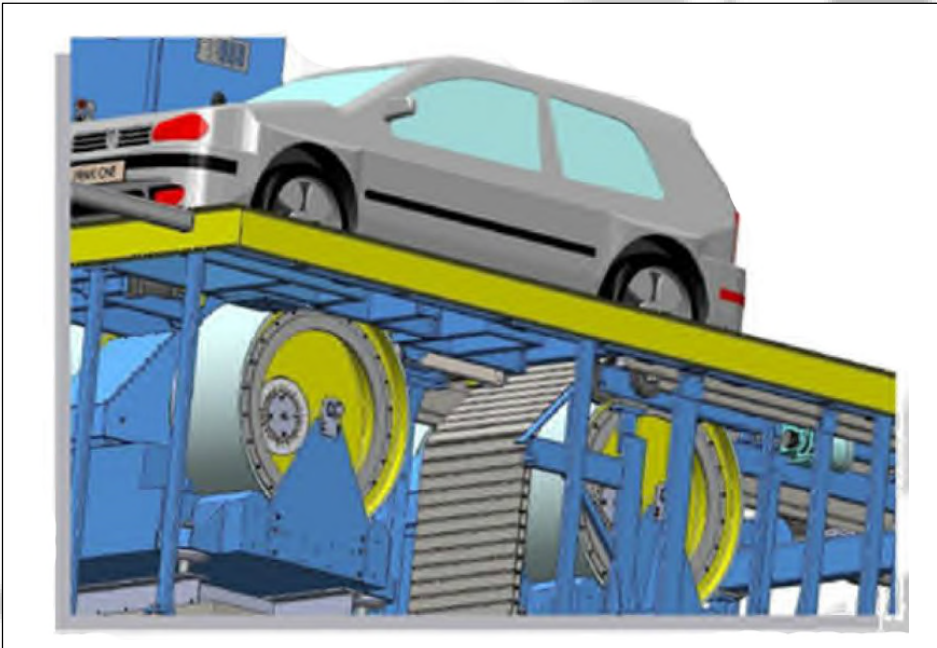


**Combine Two Single Axle 48”
Dynamometer into a 4WD**

Includes:

- Frame for Movable Base
- 4WD Control Package
- New Top Frame

Prime ONE can take two separate 2WD dynamometers and fabricate the necessary structures to create one 4WD machine. This is a cost-effective measure for a customer that has two old 2WD machines and needs a 4WD machine



Improving the Environment through Technology